

---

# Built-in Conventional Oven

LAM3201  
LAM3205  
LAM3206



User & Installation Guide

---

**LAMONA**  
Exclusive to Howdens Joinery Co.

---

Dear Customer,  
Congratulations on your choice of oven which has been designed to give you excellent service.

**The user manual will help you use your product quickly and safely.**

- Please read this user manual before installing and using the oven.
- Always follow the safety instructions.
- Keep this user manual within easy reach for future reference.
- Please read any other documents supplied with the product.

Explanation of symbols

Throughout this user manual the following symbols are used:



Important information or useful tips about usage.



Warning for possible hazards to health and property



Warning possibility of electric shock.



This product's packaging material is recyclable. Help recycle it and protect the environment by dropping it off in the municipal receptacles provided for this purpose. Your product also contains a great amount of recyclable material. It is marked with this label to indicate used appliances that should not be mixed with other waste. This way, the appliance recycling organised by your manufacturer will be done under the best possible conditions, in compliance with European Directive 2002/96/EC on Waste Electrical and Electronic Equipment. Contact your town hall or your retailer for the used appliance collection points closest to your home. We thank you doing your part to protect the environment.

# Index

<b>Before using the oven &amp; Safety</b>	<b>04</b>	<b>Cooking and baking advice</b>	<b>12</b>
General	05	<b>Cooking table</b>	<b>14</b>
Important Safety Information	05	Oven cooking table	14
Safety for children	07	Grill cooking table	15
Safety when working with electricity	07		
<b>General information</b>	<b>08</b>	<b>Care and maintenance</b>	<b>16</b>
Oven layout	08	General information	16
Control panel layout	08	Cleaning the control panel	16
Accessories	08	Cleaning the door	16
		Removal of the oven door	16
		Removing the inner door glass	17
		Replacing the oven Lamp	18
<b>Operation modes</b>	<b>09</b>		
Operating modes	09	<b>Installation</b>	<b>19</b>
		Before installation	19
<b>Preparation</b>	<b>10</b>	Installation and connection	20
First cleaning of the appliance	10	Connection to mains supply	20
Initial heating	10	Cooling Fan	21
Tips for energy saving	10		
<b>How to operate the main oven</b>	<b>11</b>	<b>Technical specification</b>	<b>22</b>
How to use the main oven	11		
Select a temperature and operating mode	11	<b>Troubleshooting</b>	<b>23</b>
Shelf positions	11		
Switch off the oven	11	<b>Your Guarantee</b>	<b>24</b>

## **Important instructions and warnings for safety and environment**

- This appliance can be used by children aged from 8 years and above and persons with reduced physical, sensory or mental capabilities or lack of experience and knowledge if they have been given supervision or instruction concerning use of the appliance in a safe way and understand the hazards involved.
- Children shall not play with the appliance. Cleaning and user maintenance shall not be made by children without supervision
- The appliance and its accessible parts become hot during use. Care should be taken to avoid touching heating elements. Children less than 8 years of age shall be kept away unless continuously supervised.
- Do not use steam cleaners to clean the appliance as this may cause an electric shock.
- Only use the connection cable specified in the "Technical specifications".
- If the power connection cable for the product is damaged, it must be replaced by the manufacturer, its service agent or similiary qualifed persons in order to avoid a hazard.
- During use the appliance becomes hot. Care should be taken to avoid touching heating elements inside the oven.
- The appliance must be installed so that it can be completely disconnected from the network. The separation must be provided either by a mains plug, or a switch built into the fixed electrical installation, according to construction regulations.
- Accessible parts may become hot during use. Young children should be kept away.

---

## **Important instructions and warnings for safety and environment**

---

- Do not use harsh abrasive cleaners or sharp metal scrapers to clean the oven door glass since they can scratch the surface, which may result in shattering of the glass.
- Rear surface of the oven gets hot when it is in use. Make sure that the gas/electrical connection does not contact the rear surface; otherwise, connections can get damaged.
- Ensure that the appliance is switched off before replacing the lamp to avoid the possibility of electric shock.

## Before using the Oven

- Make sure that you have removed all packaging, wrappings, stickers and films from the oven's surface.
- It is recommended that you clean and wash the oven's surface before using for the first time.



This appliance is for domestic cooking purposes only. It must not be used for other purposes, for example room heating, or drying towels and dish cloths. Commercial use will void the guarantee.

The manufacturer shall not be liable for any damage caused by improper use or handling errors.

### General

This product is not intended to be used by persons with physical, sensory or mental disorders or unlearned or inexperienced people (including children) unless they are supervised by a person who will be responsible for their safety or who will instruct them accordingly in the use of the product. Children must be supervised to prevent them from tampering with the product.

- Connect the product to an earthed outlet protected by a fuse of suitable capacity as stated in the "Technical specifications" table. Our company shall not be liable for any problems arising due to the product not being earthed in accordance with the local regulations.
- Do not operate the product if the power cable is damaged. Call qualified service agent.
- Do not operate the product if it is defective or has any visible damage.
- Do not carry out any repairs or modifications on the product. However, you may remedy issues that do not require any repairs or modifications. See Troubleshooting, later in this booklet
- Never wash down the product with excessive water, as there is the risk of electric shock!

- Never use the product when your judgment or coordination is impaired by the use of alcohol and/or drugs.
- Product must be disconnected from the mains during installation, maintenance, cleaning and repair procedures.
- Repair procedures must always be performed by qualified service agents. The manufacturer shall not be held responsible for damages arising from procedures carried out by unauthorised persons, which may also void the guarantee.
- Be careful when using alcoholic drinks in your dishes. Alcohol evaporates at high temperatures and may cause fire since it can ignite when it comes into contact with hot surfaces.
- Do not heat closed tins and glass jars in the oven. The pressure that would build-up in the tin/jar may cause it to burst.
- Do not place any flammable materials close to the product as the sides may become hot during use.



#### **WARNING FIRE RISK -**

**Do not place aluminium foil, baking trays or cook on the base of this oven, doing so will cause permanent damage to your appliance and cabinetry with the potential risk of fire .**

- Do not place aluminium foil on the base of the baking tray.
- Keep all ventilation slots clear of obstructions, as this may cause premature failure of the oven element.
- Parts of the appliance may become hot during or immediately after use. Care should be taken to avoid touching the heating elements,

and components inside the oven which may be hot. Always allow sufficient time for the oven to cool.

- Do not allow the oven to cool with the door open. Even if the appliances door is only open a little, front panels of adjacent units could become damaged over time.
- If the door seal is very dirty this can prevent the door from closing properly during use, resulting in possible damage to adjacent furniture and poor efficiency. Always ensure the door seal is clean.
- Product may become hot when it is in use. Please be careful not to touch these hot surfaces.
- Always use heat resistant oven gloves when putting dishes in or removing dishes from the hot oven.
- Do not use the product if any door glass is removed or damaged.
- Rear surface of the oven may get hot when it is in use. Make sure that the electrical connections do not contact the rear surface; otherwise, connections may be damaged.
- Do not trap the mains cable and do not route it over hot surfaces. The cable insulation may melt and cause a fire as a result of a short circuit.
- Make sure that the product function knobs are switched off after every use.
- When hot and cold air meet, condensation can form. The outer door is air cooled and the inner glass will become hot during cooking, therefore some condensation might form. This is perfectly normal. All condensation will disappear as the oven reaches cooking temperature.
- Product must be installed by a qualified person in accordance with the regulations in force. Otherwise, the guarantee may become void.

## Safety for children

Electrical products can be dangerous to children. Keep children away from the product when it is operating and do not allow them to play with or near the product.

“CAUTION: accessible parts of the oven may become hot when the oven or grill is in use. Children should be kept away until the product has cooled down.”

Do not store any items above the appliance that children may reach for.

When the door is open, do not load any heavy object on it and do not allow children to sit on it. The door or door hinges may be damaged.

The packaging materials will be dangerous for children. Keep the packaging materials away from children. Please dispose of all parts of the packaging according to environmental standards.

## Safety when working with electricity

Any work on electrical equipment and systems should only be carried out by authorised and qualified persons.

In case of any damage, switch off the product and disconnect it from the mains. To do this, turn off the fuse at the fuse box.

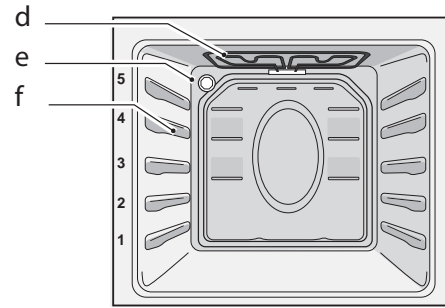
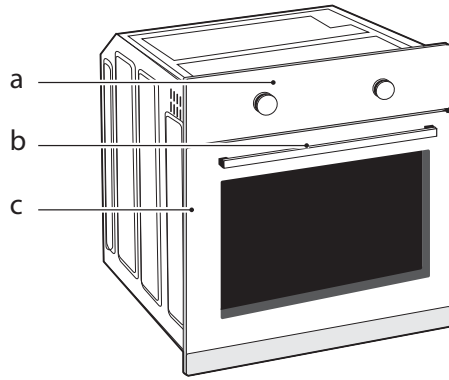
Make sure that fuse rating is compatible with the product.



**Do not switch the oven off at the mains isolation switch immediately after cooking. Cooling fan continues to run for up to 20-30 minutes (approx) even after the oven control is turned off.**

# General Information

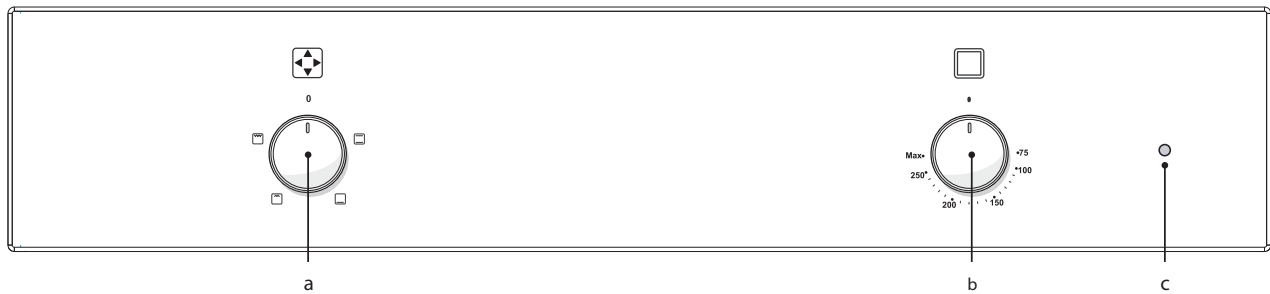
## Oven layout



- a. Control panel
- b. Handle
- c. Oven Door

- d. Heating element
- e. Light
- f. Oven shelf positions

## Control panel layout



- a oven / grill function knob
- b Main oven temperature indicator

- c oven / grill temperature indicator

## Accessories



Oven tray / grill pan



Grill pan wire rack / trivet



Oven shelf (x2 included)



# Operating modes

## Operating modes

---

All functions for the ovens and grill are listed in this section. Please note\* depending on the model of your oven, the number and order of operating modes available may deviate from the illustrations shown below.

### Top and bottom heat



Top and bottom heat is used. The foodstuffs are heated simultaneously from above and below. Suitable for cakes, cookies and casseroles. For best results cook with one tray only.

### Grill-small



The inner grill element in the top oven is in operation. This is suitable for small or medium-sized portions

Ensure correct shelf position is used, set the temperature to desired level, and turn the food as required to ensure even cooking.

### Bottom heat



Only bottom heat is used. Is particularly suitable for dishes, such as pizza, which are required to be baked from beneath.

### Grill -Full



The full grill element in the top oven is in operation. This is suitable for grilling larger dishes

# Preparation

## First cleaning of the appliance

---

1. Remove all packaging materials.
2. Wipe the surfaces of the appliance with a damp cloth or sponge and dry with a clean cloth

The surface may get damaged by some detergents or cleaning materials.

Do not use aggressive detergents, cleaning powder/cream or any sharp objects.

## Initial heating

---

It is recommended to heat up the product for about 30 minutes and then switch it off. Thus, any production residues or layers will be burnt off and removed.

1. Take the tray and the wire grid out of the oven.
2. Close the oven doors.
3. Select the highest oven & grill power levels (See How to use the oven and grill section).
4. Operate oven & grill for about 30 minutes.
5. Turn off your oven & grill and allow to cool.



Small amounts of fumes may emit during the initial heating process; this is normal, however monitor the oven at all times and ensure that the room is well ventilated.

## Tips for saving energy

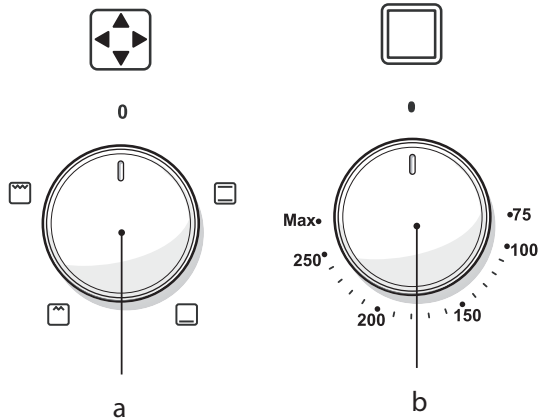
---

The following information will help you to use your appliance in an ecological way, and to save energy:

- Use dark coloured or enamel coated cookware in the oven as the heat transmission will be better.
- Perform a preheating operation if it is advised in the user manual or cooking instructions.
- Do not open the door of the oven frequently during cooking.
- Try to cook more than one dish in the oven at the same time whenever possible. You can place two cooking vessels onto the wire shelf.
- Cook one dish after another. The oven will already be hot.
- You can save energy by switching off your oven a few minutes before the end of the cooking time. Do not open the oven door.
- Defrost frozen dishes before cooking them if possible.

# How to operate the main oven and grill

## Select temperature & Operating mode



- a. Oven function knob\*  
b. Oven thermostat knob



Please note\* oven functions may differ depending on your oven model

The operating modes of the electric oven are selected with the function knob. The temperature is adjusted with the thermostat knob.

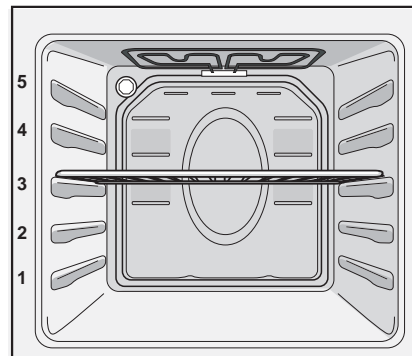
## How to use the oven & Grill

1. Set thermostat knob to the desired temperature.
2. Set function knob to the required operating mode.
3. Close the oven door

The oven heats up to the adjusted temperature and maintains it. During heating, the temperature indicator light will remain on until the desired temperature is reached.

## Shelf positions

The oven has 5 shelf positions as illustrated below. It is important to position the wire shelf into the runners correctly.



Please ensure shelves are fully inserted before closing the oven door, failure to do so could lead to damage to the door.



**WARNING FIRE RISK -**  
**Do not place aluminium foil, baking trays or cook on the base of this oven, doing so will cause permanent damage to your appliance and cabinetry with the potential risk of fire .**

**Warning** –Do not place plates, dishes or trays on the floor of oven cavity when oven is in use.

**Warning** - Do not use the oven or grill cavity for storage when not in use.

## Switch off the electric oven

Turn function knob and thermostat knob to off position (top).

## Cooking and baking advice



Risk of scalding by hot steam! Take care when opening the oven door as steam may escape.

### Tips for baking

- Use nonstick coated appropriate metal trays and containers or heat-resistant silicone moulds.
- Make best use of the space on the shelf.
- It is recommended to place the vessels in the middle of the shelf.
- Select the correct shelf position before turning the oven or grill on - don't move oven shelves when hot.
- Keep the oven door closed.

### Tips for roasting

- Seasoning with lemon juice and black pepper will improve the cooking performance when cooking a whole chicken, turkey or a large piece of meat.
- Meat with bones takes about 15 to 30 minutes longer to cook than a roast of the same size without bones.
- Let meat rest in the oven for about 10 minutes after the cooking time. The juices will be better distributed throughout the meat and will not run out when the meat is cut.
- Fish in a heat proof dish should be placed at the medium or lower level.

### Tips for grilling

- Grilling is ideal for cooking meat, fish and poultry and will achieve nice browning without drying out the food. Flat pieces, meat skewers and sausages are particularly suited for grilling, as are vegetables with a high water content, such as tomatoes and onions.
- Distribute the pieces to be grilled on the wire rack.
- Use tray or grill pan under the wire rack in order to collect dripping fat or juices.
- Adding some water to the grill pan will assist with cleaning.

### Tips for baking cake

- If the cake is too dry, increase the temperature by 10°C and decrease the cooking time.
- If the cake is wet, use less liquid or lower the temperature by 10°C.
- If the cake is too dark on top, place it on a lower shelf, lower the temperature and increase the cooking time.
- If cooked well on the inside but sticky on the outside use less liquid, lower the temperature and increase the cooking time.

### Tips for baking pastry

- If the pastry is too dry, increase the temperature by 10°C and decrease the cooking time. Dampen the layers of pastry with a wash composed of milk, oil, egg.
- If the pastry takes too long to bake, pay attention to the thickness of the pastry you have prepared
- If the upper side of the pastry gets browned, but the lower part is not cooked, make sure that the amount of wash you have used for the pastry is not too much at the bottom of the pastry. Try to spread the wash equally over the pastry for an even browning.
- Cook the pastry in accordance with the mode and temperature given in the cooking table.

### Tips for cooking vegetables

- If the vegetable dish runs out of juice and gets too dry, cook it in a dish with a lid instead of an open tray. Closed vessels will preserve the juice of the dish.
- If a vegetable dish is not cooked, boil the vegetables beforehand.



# Cooking Tables
















The values indicated in the tables below are indicative. They may vary according to the type of food as well as your preferences of cooking.



## Baking and roasting

Level 1 is the bottom level in the oven.

## Oven cooking table





CONVENTIONAL OVEN COOKING TABLE				
Dish	Cooking level	Oven Function	Temperature °C	Cooking Time min
<b>Baking</b>				
Cakes in tray*	Level 3		175	25 - 30
Cakes in mould*	Level 2		175	40 - 50
Cakes in bun cases	Level 3		175	25 - 30
Sponge cake*	Level 3		200	15 - 20
Cookies*	Level 3		175	25 - 30
Dough pastry*	Level 2		200	30 - 40
Rich pastry*	Level 2		200	25 - 35
<b>Meat</b>				
Lasagna*	Level 2 - 3		200	30 - 40
Roast Beef	Level 2		25 min at 250/max then 180 ... 190	100 - 120
Leg of Lamb	Level 2		25 min at 220 then 180 ... 190	70 - 90
Roasted chicken	Level 2		15 min at 250/max then 180 ... 190	55 - 65
Turkey (5.5kg)	Level 1		25 min at 250/max then 190	150 - 210
<b>Fish</b>				
Fish	Level 3		200	20 - 30

For best results cook on a single shelf in the centre of the oven and allow the heat to circulate evenly around the food.

\* It is suggested to perform preheating for all foods

If cooking requires preheating, heat the oven until the thermostat lamp goes out.

## Grill cooking table

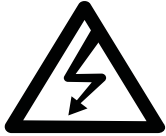
GRILL COOKING TABLE			
Food	Cooking level	Oven Function	Cooking Time (min)
<b>Fish</b>	4-5 Level		20 - 25
<b>Sliced chicken</b>	4-5 Level		25 - 30
<b>Lamb chops</b>	4-5 Level		20 - 25
<b>Steak</b>	4-5 level		25 - 30
<b>Toast</b>	4 Level		1 - 2

Please Note: cooking times may vary depending on their thickness of food

# Care and maintenance

## General information

Service life of the product will extend and the possibility of problems will decrease if the product is cleaned at regular intervals.



### Risk of electric shock!

Switch off the electricity before cleaning appliance to avoid possibility of an electric shock.



### Hot surfaces may cause burns!

Allow the appliance to cool down before you clean it.

- Clean the product thoroughly after each use. This way it will be possible to remove cooking residues more easily and will avoid burning them on the next time the appliance is used.
- No special cleaning agents are required for cleaning the product. Use warm water with washing liquid, a soft cloth or sponge to clean the product and wipe with a dry cloth.
- Always ensure any excess liquid is thoroughly wiped off after cleaning and any spillage is immediately wiped dry.
- Do not use cleaning agents that contain acid or chloride to clean the stainless steel surfaces and the handle. Use a soft cloth with a liquid detergent (not abrasive) to wipe those parts clean, paying attention to sweep in a horizontal direction.



The surface may be damaged by some detergents or cleaning materials.

**Do not** use aggressive detergents, cleaning powder/cream or any sharp objects.

**Do not** use steam cleaners for cleaning.

## Cleaning the control panel

Clean the control panel and control knobs with a damp cloth and wipe them dry.



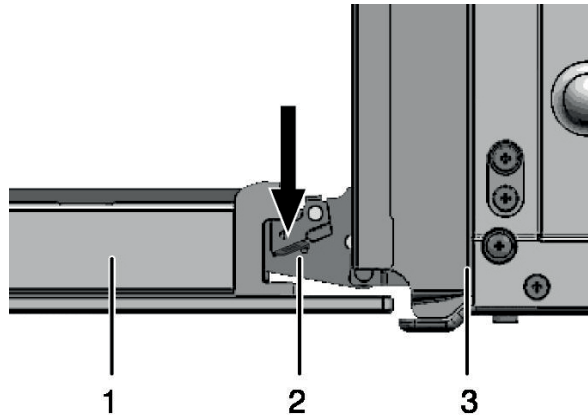
**Do not** remove the control knobs for control panel cleaning.

## Cleaning oven door

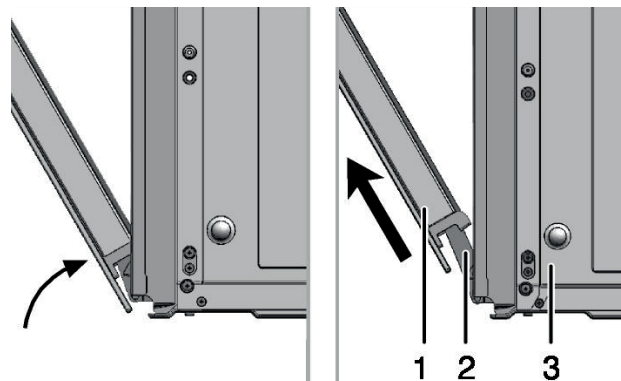
Don't use any harsh abrasive cleaners or sharp metal scrapers for cleaning the oven door. They could scratch the surface and damage the glass.

## Removal of the oven door

1. Open the door.
2. Unlock the clips at the hinge housing on the right and left hand sides of the door by pressing them down as illustrated in the diagram.



1. Door door
2. Hinge
3. Oven



4. Raise the door to the half-way position.
5. Remove the door by pulling it up-wards to slide it from the hinges.

Steps carried out during removing process should be performed in reverse order to reattach the door.



Do not forget to close the clips at the hinge housing when reinstalling the door.



## Removing the inner door glass

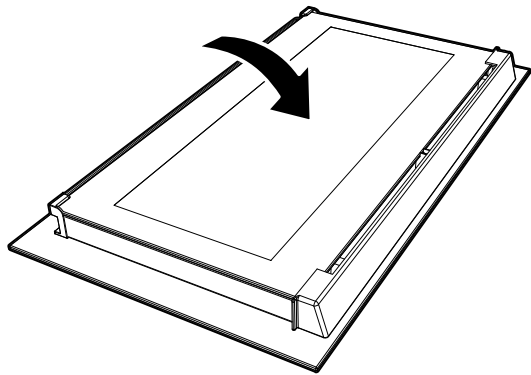
The inner glass panel of the oven door can be removed for cleaning.



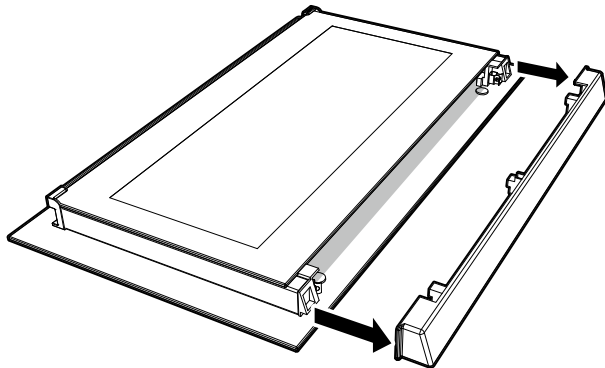
When cleaning, avoid the use any harsh abrasive chemicals or sharp metal scrapers for as this could scratch the surface and damage the glass.

In order to do this:

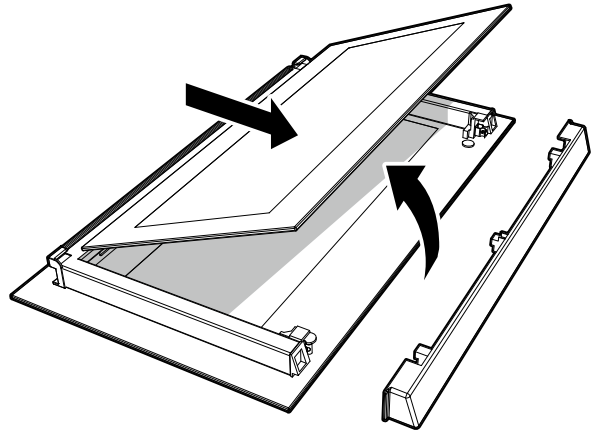
1. open the door fully.



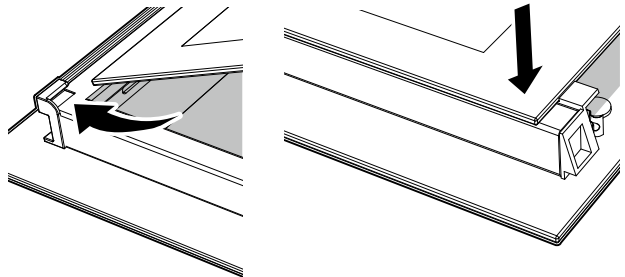
2. The top plastic cap can be pulled away from the retaining clips.



3. The inner glass can then be lifted from its retaining slots.



4. To replace the glass follow this process in reverse ensuring the printed surface of the glass is facing downwards.



Ensure the glass is fully located in the lower retaining slots before attempting to re-fit the top cap.

## Replacing the oven lamp

---



### **Hot surfaces may cause burns!**

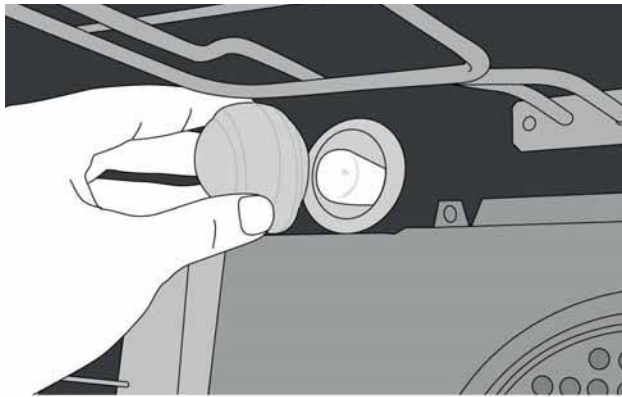
Make sure that the appliance is switched off and cooled down in order to avoid the risk of an electrical shock or burns.



The oven lamp is a special electric lamp that can resist up to 300°C. See Technical specifications, for details.



Position of lamp might vary from the diagram.



1. Disconnect the product from mains.
2. Turn the glass cover counter clock-wise to remove it.
3. Remove the oven lamp by turning it counter clockwise and replace it with the new one.
4. Install the glass cover

# Installation

## Before installation

The product should only be installed by suitably qualified persons.



The product must be installed in accordance with all local regulations.

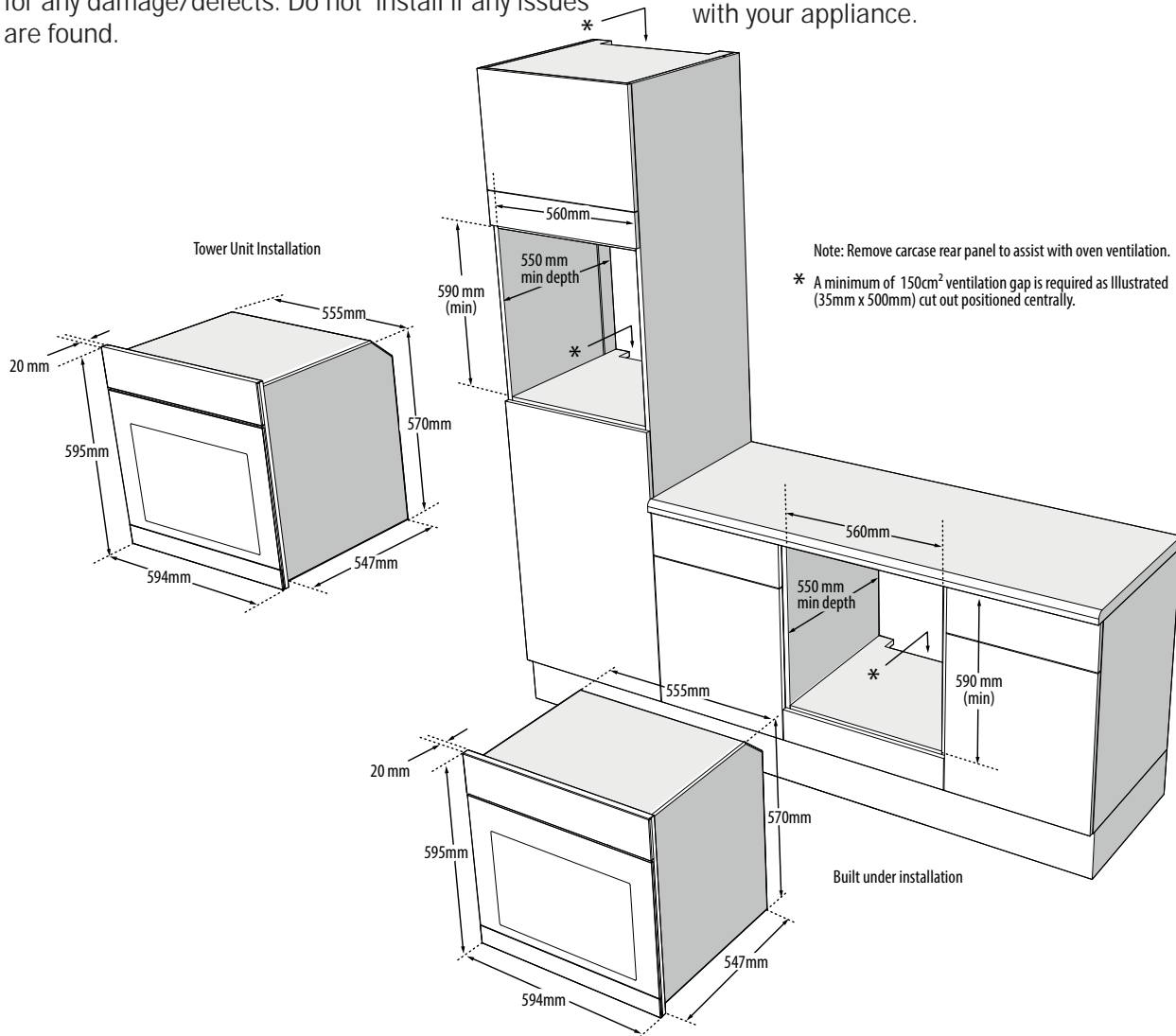


Prior to installation, visually check the product for any damage/defects. Do not install if any issues are found.

Damaged products may cause risks to your own safety.

The appliance is intended for installation in Howdens kitchen cabinets.

- Surfaces, synthetic laminates and adhesives used must be heat resistant.
- Kitchen cabinets must be set level and fixed.
- If there is a drawer beneath the oven, a shelf must be installed between oven and drawer.
- The following installation drawings are representational and may not match exactly with your appliance.



## Installation and connection



### Material damage!

The door and/or handle must not be used for lifting or moving the appliance.

- We recommend 2 people handling of the product.
- Use the handle slots located at both sides of the oven to move the appliance.

## Connection to the mains supply



### This appliance must be earthed!

Howdens shall not be held responsible for any damage caused by using the appliance without an earthed connection.



### Risk of electric shock, short circuit or fire by unprofessional installation!

The appliance may be connected to the mains supply only by an authorized qualified person and the appliance is only guaranteed after correct installation.



### Risk of electric shock, short circuit or fire by damage of the mains lead!

The mains lead must not be clamped, bent, trapped or come into contact with hot parts of the appliance.

If the mains lead is damaged, it must be replaced by a qualified person.

- The mains supply must correspond to the data specified on the rating plate of the appliance.<sup>to</sup> The rating plate can be seen when the main oven door is opened.
- The appliance mains cable must correspond the specifications and the power consumption; see Technical specifications, page.

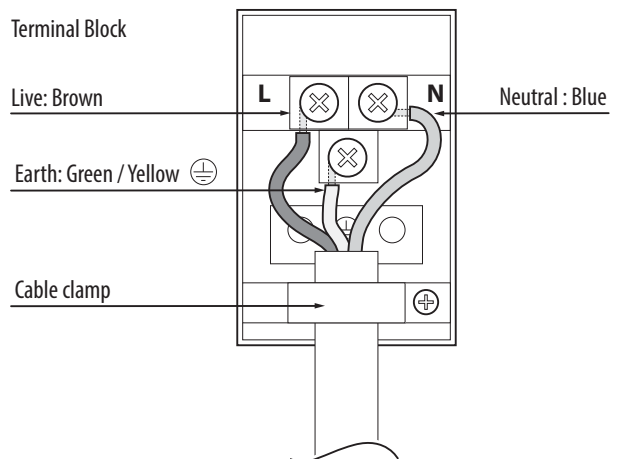


**Risk of electric shock** Before starting any work on the electrical installation, please disconnect the mains supply.

1. This appliance must only be installed by a qualified electrician, e.g. a local electricity company or a NICEIC registered contractor, to a suitable double-pole control unit with a minimum contact clearance of 3 mm in all poles. the work should be carried out in accordance with IEE regulations. Failure to observe this instruction may result in operational problems and invalidation of the appliance Guarantee.

Additional protection by a residual current circuit breaker is recommended.

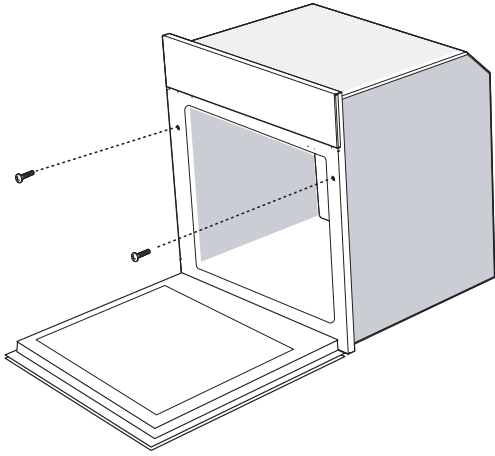
2. Open the terminal block cover with screwdriver.
3. Pass the mains lead through the cable clamp under the terminal and fix the mains lead to main body with supplied screw via cable grip.
4. Connect the cables according to the supplied diagram.



5. Close the cover of the terminal block once the wiring is complete. Mains cable must not be longer than 2 metres for safety reasons.
6. The mains lead should be routed away from the appliance and not be trapped between the appliance and the wall.

**Installation**

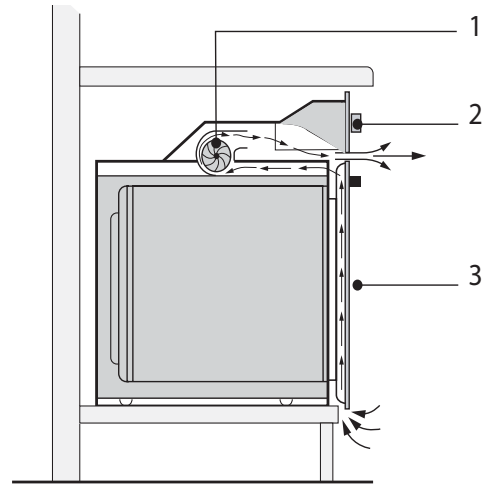
Slide the oven through the cabinet aperture, align and secure.



Fix your oven with the 2 screws and washers as indicated in the illustration.

**Final check**

Connect the appliance to the mains supply, switch on the mains supply and check the oven's functions,

**Cooling fan**

- |   |               |
|---|---------------|
| 1 | Fan           |
| 2 | Control panel |
| 3 | Door          |

The Built-in cooling fan cools both the front of the appliance and cabinetry.



**Do not switch the oven off at the mains isolation switch immediately after cooking. Cooling fan continues to run for up to 20-30 minutes (approx) even after the oven control is turned off.**

# Technical specification

## TECHNICAL INFORMATION

### General

Voltage /Frequency	220-240 V – 50 Hz
Total power consumption	2.4kW
Fuse	min. 13A
Cable Length	max. 2m
Cable type / section	H05W-FG1.5mm <sup>2</sup> , 3 core or equivalent

### Oven/Grill

External dimensions (height / width / depth)	594 mm/595 mm/567mm
Installation dimensions (height / width / depth)	585-595 mm/560 mm/min. 500 mm

Main oven	Conventional Oven
Energy efficiency class#	A
Energy consumption	0.88 kW/h
Inner lamp	240 V/15-25 W/E14 SES/T 300 °C
Grill power consumption	2.2kW

# Basics: Information on the energy label of electrical ovens is given in accordance with the EN 60350-1 / IEC 60350-1 standard. Those values are determined under standard load with bottom-top heater or fan assisted heating (if any) functions.

Energy efficiency class is determined in accordance with the following prioritization depending on whether the relevant functions exist on the product or not. 1-Cooking with eco-fan, 2- Turbo slow cooking, 3- Turbo cooking, 4- Fan assisted bottom/top heating, 5-Top and bottom heating.

\*\* See. Installation section.

- Technical specifications may be changed without prior notice to improve the quality of the product.
- Figures in this manual are schematic and may not exactly match your product.
- Values stated on the product labels or in the documentation accompanying it are obtained in laboratory conditions in accordance with relevant standards. Depending on operational and environmental conditions of the product, these values may vary.

# Troubleshooting

## TROUBLESHOOTING GUIDE

Symptoms	Possible Cause	Solutions
<b>Oven emits steam when it is in use.</b>	<ul style="list-style-type: none"> <li>Food is being cooked with a high water content</li> </ul>	It is normal that steam escapes from food during cooking. This is not a fault.
<b>Product emits metal noises while heating and cooling.</b>	<ul style="list-style-type: none"> <li>When the oven cavity heats up or cools down parts will expand and contract.</li> </ul>	This is quite normal and the oven is designed to accommodate such movement (this is not a fault).
<b>Product does not operate</b>	<ul style="list-style-type: none"> <li>The mains fuse maybe defective or has tripped</li> <li>Product is not connected properly.</li> </ul>	<p>Check fuses in the fuse box. If necessary, replace or reset them.</p> <p>Check all power connections.</p>
<b>Oven light does not work.</b>	<ul style="list-style-type: none"> <li>Oven bulb is defective</li> <li>Power is cut.</li> </ul>	<p>Replace oven bulb</p> <p>Check if there is power. Check the fuses in the fuse box. If necessary, replace or reset the fuses.</p>
<b>Oven does not heat.</b>	<ul style="list-style-type: none"> <li>Function and/or Temperature are not set.</li> <li>The timer is not adjusted correctly</li> <li>Power is cut.</li> </ul>	<p>Set the function and the temperature with the Function and/or Temperature knob/key.</p> <p>Reset the oven timer.</p> <p>Check if there is power. Check the fuses in the fuse box. If necessary, replace or reset the fuses.</p>



If you cannot eliminate the problem after following the instructions in this section, consult your depot or the Authorized Service Agent. Never try to repair a nonfunctional product yourself.

# Your guarantee

## Product Guarantee Details (UK only)

---

**Your appliance has the benefit of a comprehensive manufacturer's guarantee which covers the cost of breakdown repairs. (Details of which are shown on your Proof of Purchase Document).**

- Any claim during the period of the guarantee (MUST BE ACCOMPANIED BY THE PROOF OF PURCHASE)
- The product must be correctly installed and operated in accordance with the manufacturer's instructions and used for normal domestic purposes.
- This guarantee does not cover accidental damage, misuse or alternations which are likely to affect the product.
- The guarantee is invalid if the product is tampered with, or repaired by any unauthorised person.

**(The guarantee in no way affects your statutory or legal rights)**

**What to do if you need to report a problem-**

**Please ensure you have ready:**

- **The product's model & serial numbers**
- **Howdens Proof of Purchase document**
- **Your full contact details**



**Call the Service Line on 0845 00 60 006**





## Product Information

Commission Regulation (EU) No 66/2014

# LAMONA

Model	LAM3201/5/6
Type of Oven	Conventional
M	27kg
Number of cavities	1
V	65L
$EC_{\text{electric cavity}}$	0.88kWh/cycle
$EEl_{\text{cavity}}$	106.9



If supplied, please stick your self adhesive product rating plate here, or make a note of the product serial number below in the box below for future reference.

Serial Number : .....



**HOWDENS**

JOINERY CO.

MAKING SPACE MORE VALUABLE



This brochure is printed on FSC certified paper